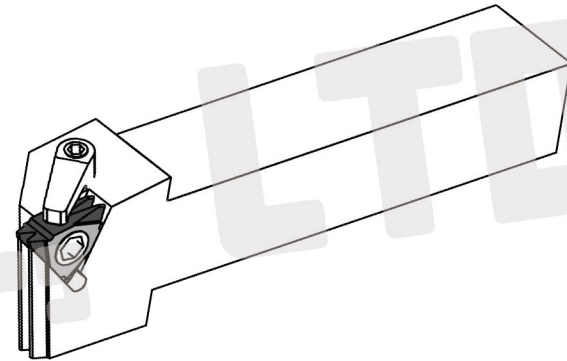
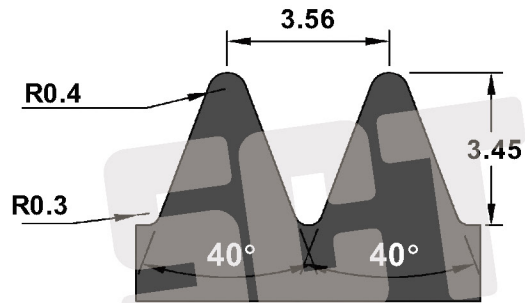
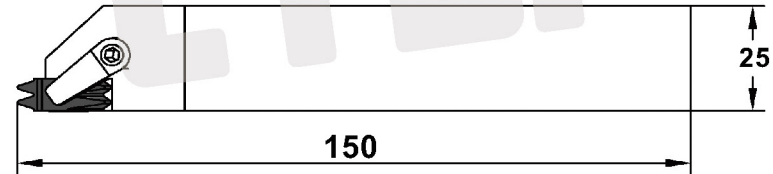
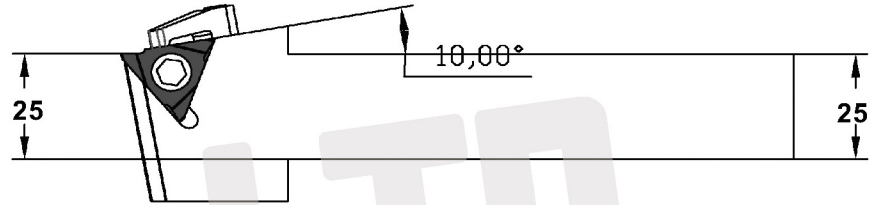
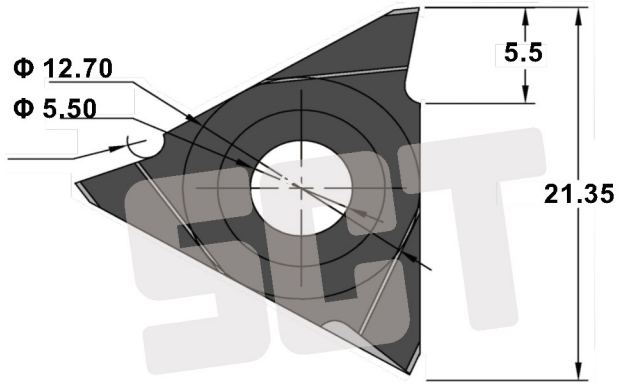




This drawing is for webpage display only !



RTP115 <input type="checkbox"/> Hardened Steel	RTP330 <input type="checkbox"/> Cast Iron	RTP000 <input type="checkbox"/> Aluminium / Bronze	GPV Insert for Gooving V- ribbed pulleys	Part Number: PDL-VT23-40-23356R40R30
RTP225 <input type="checkbox"/> Stainless Steel	Right Hand <input type="checkbox"/> Left Hand <input type="checkbox"/>	Notes	SPECIAL CUTTING TOOLS CO., LTD. www.special-cutting-tools.com 	