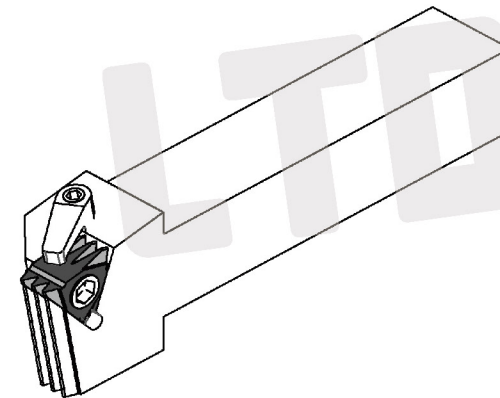
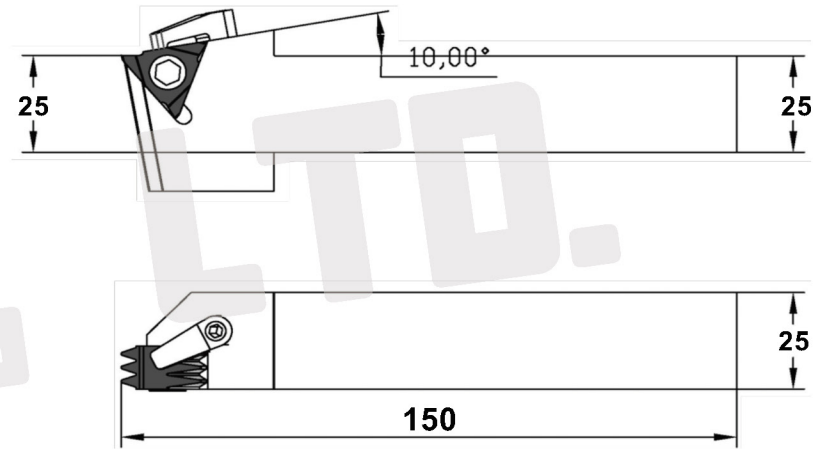
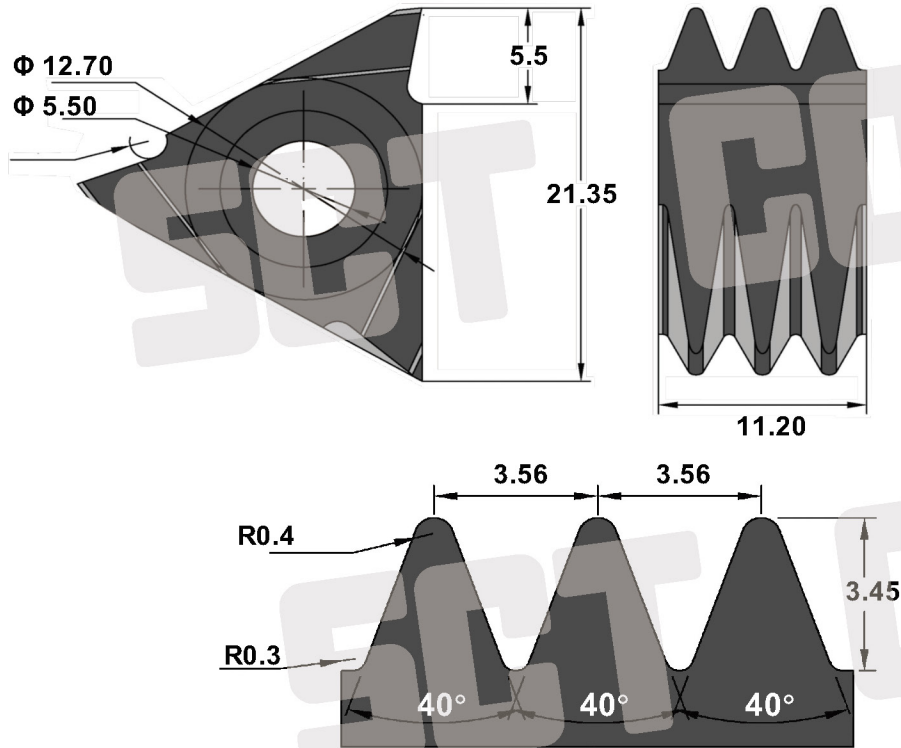




This drawing is for webpage display only !



RTP115 <input type="checkbox"/> Hardened Steel	RTP330 <input type="checkbox"/> Cast Iron	RTP000 <input type="checkbox"/> Aluminium / Bronze	GPV Insert for Gooving V- ribbed pulleys	Part Number: <b>PDL-VT33-40-33356R40R30</b>
RTP225 <input type="checkbox"/> Stainless Steel	Right Hand <input type="checkbox"/> Left Hand <input type="checkbox"/>	Notes	<b>SPECIAL CUTTING TOOLS CO., LTD.</b> <a href="http://www.special-cutting-tools.com">www.special-cutting-tools.com</a> 